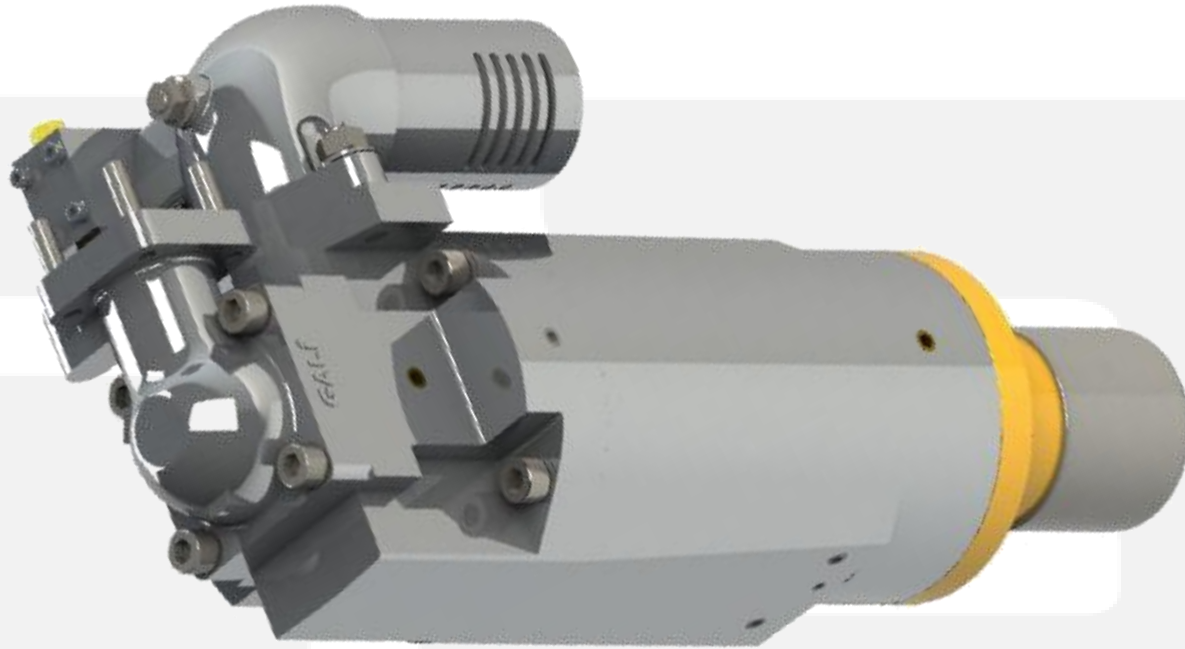


# Galil

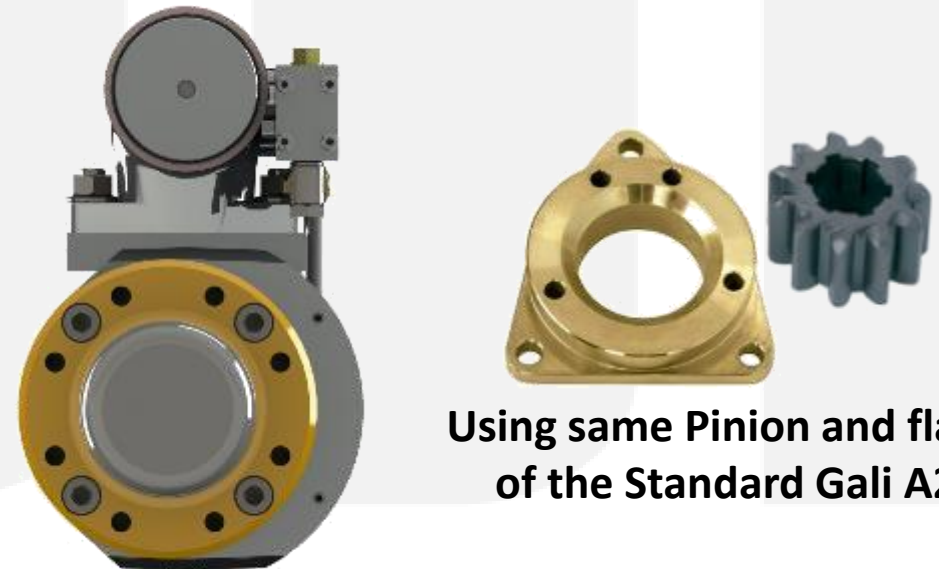
**Complete Solution for Air Starting Systems  
A27 LP**



### Main Performance data for the A27LP starter

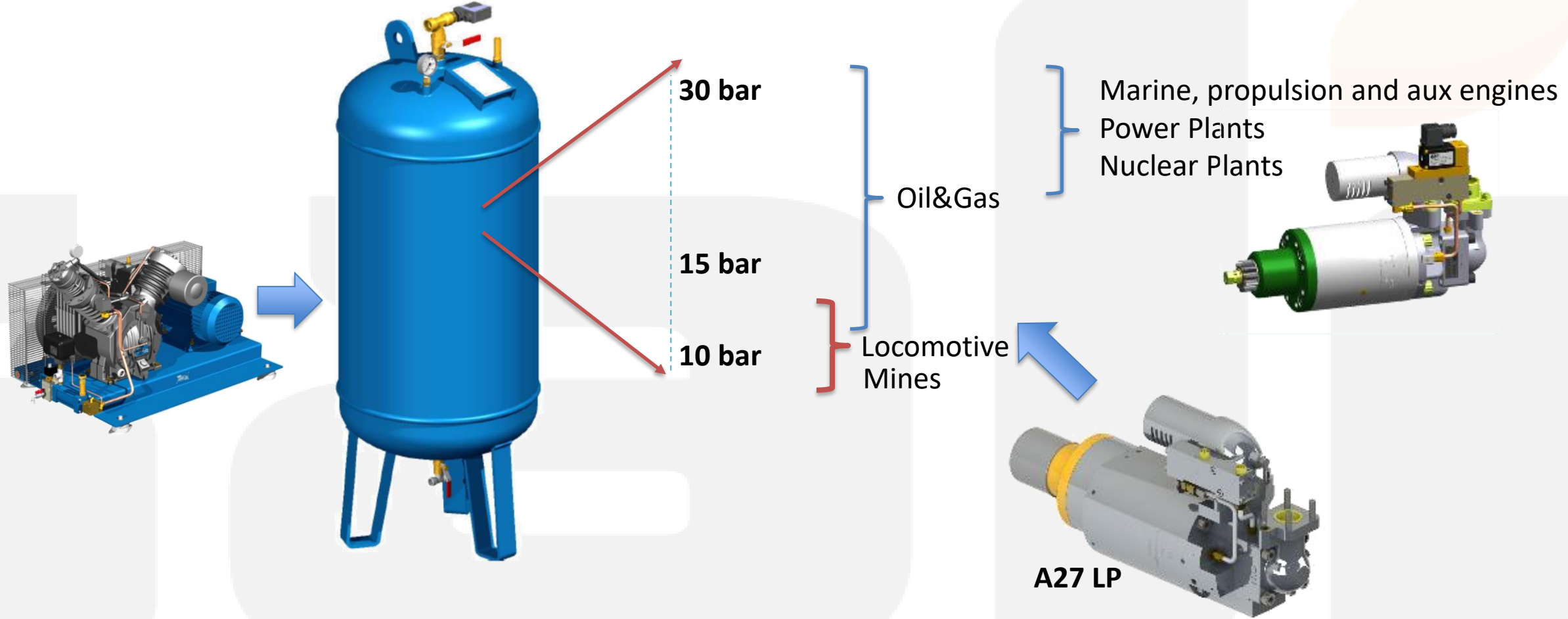
Max Output torque	188 Nm (0 rpm, 10 bar)
Max Working Pressure	10 bar

The A27LP is one of the most versatile starters we have, covering a range of engines to work that goes from the 15L to the 70L capacity. With a maximum torque of 188Nm, can cover many applications.



Using same Pinion and flange of the Standard Gali A27

*We have different air storage pressure, depending on the sector or the application*



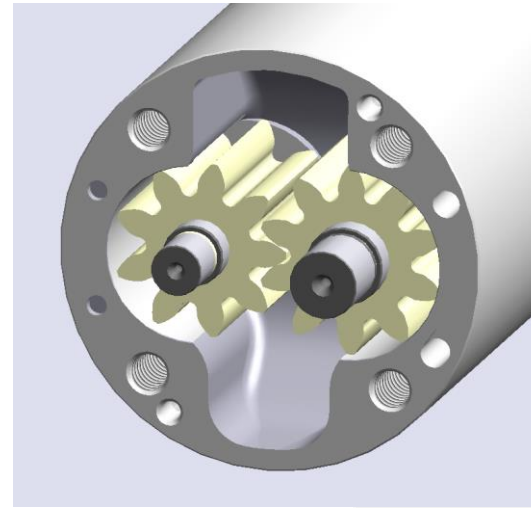
With the A27 LP we can work in the lower bracket of pressure, with a power equivalent to the A27 working at 30 bar



## Rotors Technology at Low Pressure

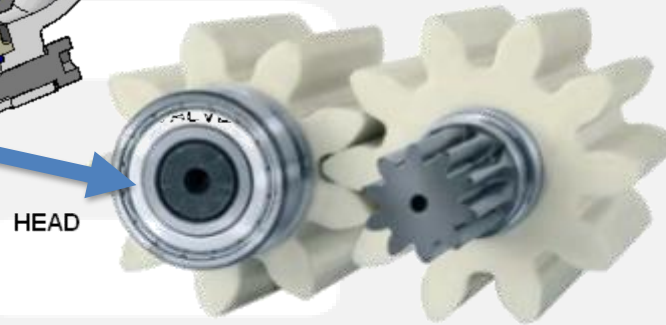
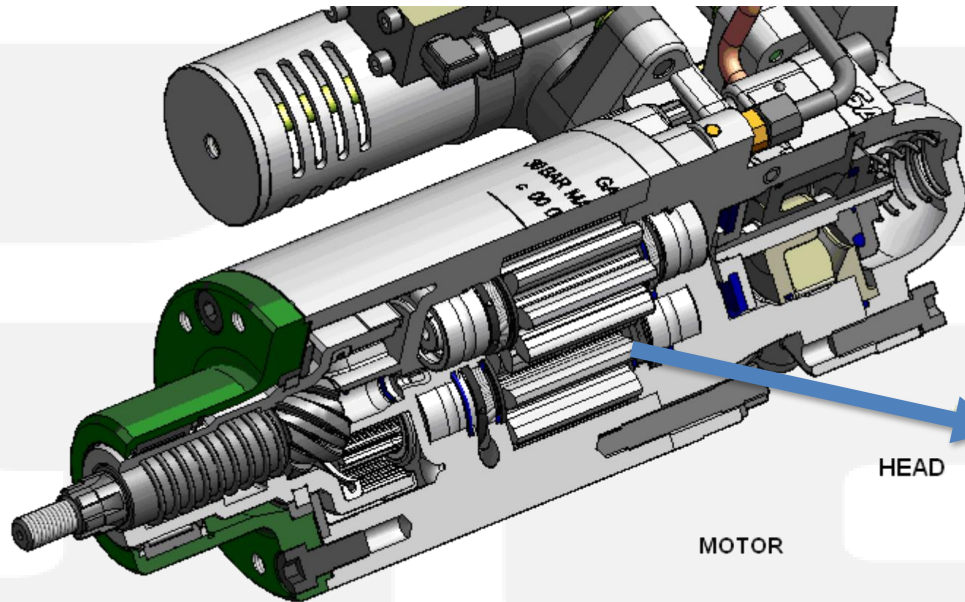
The A27 LP starters keeps the very well-known *rotors* technology from Gali.

This technology ensures a **very easy maintenance**, and **very long starter life**.



ROTORS to give the maximum POWER:

- Maximum torque at 0 rpm
- Minimum starting time

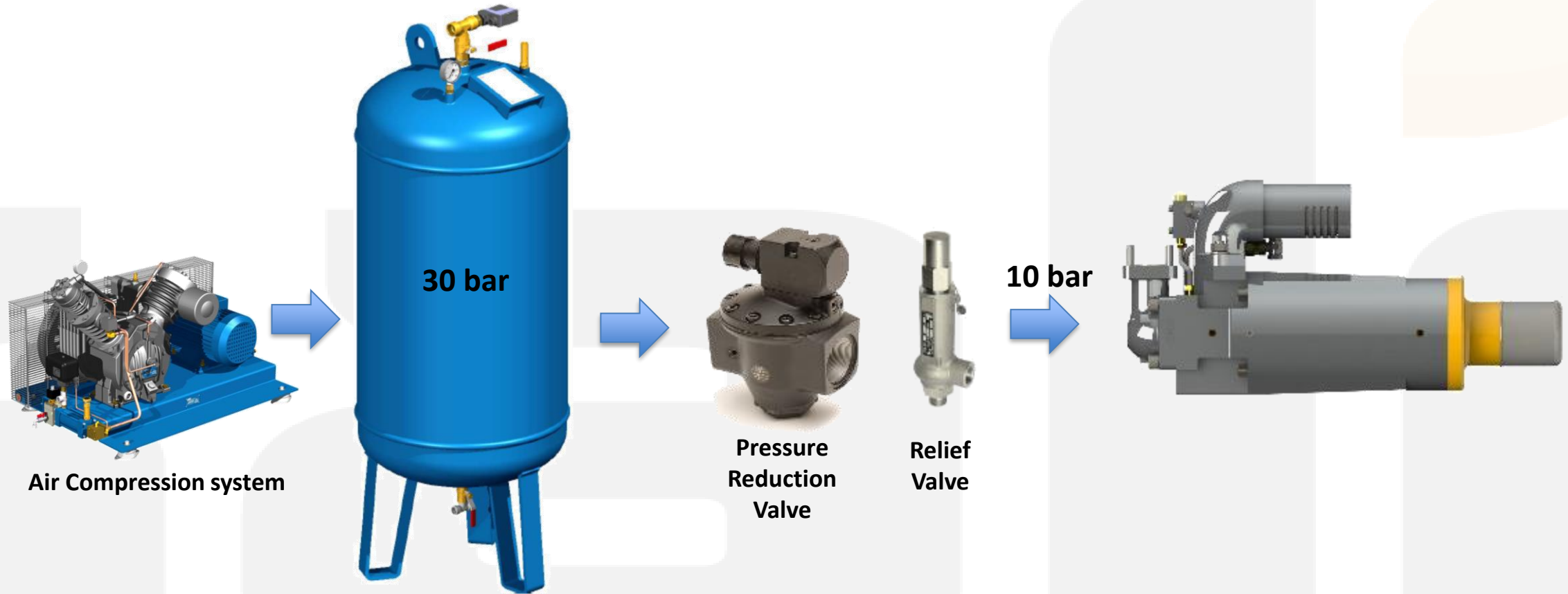


### Pre-engaged starter

This assures the perfect care of the engine flywheel rim-gear, avoiding breaking any teeth with the consequent expensive repairs.

This starter **does not need external lubrication**. Their internal parts are greased for optimal performance.





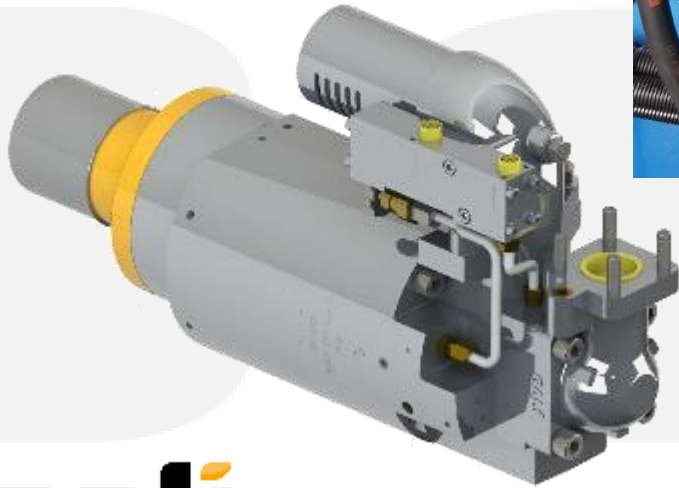
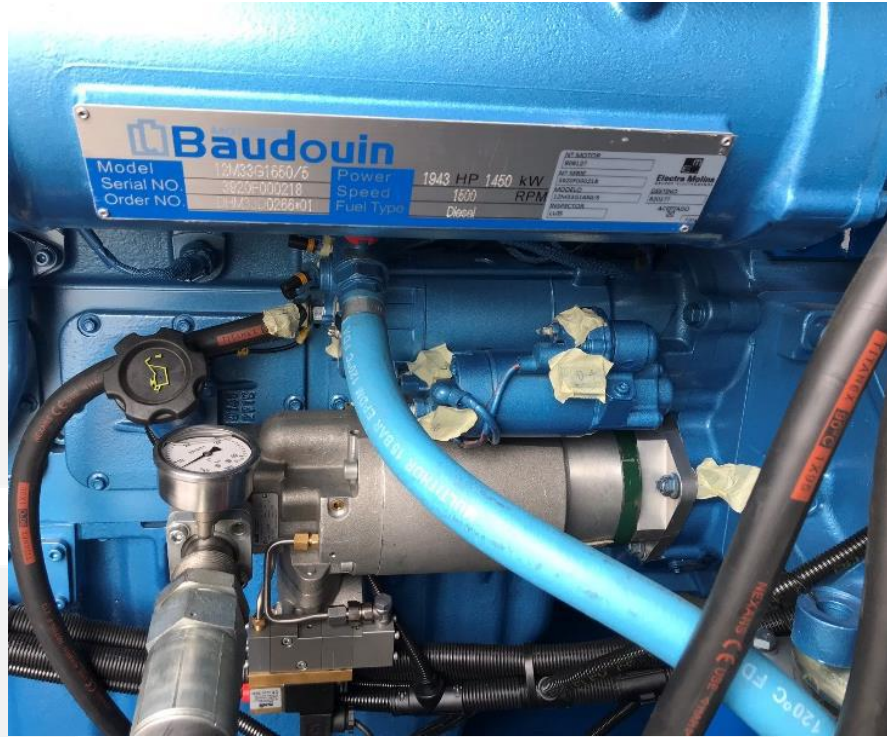
The A27 LP starter is the **best option to replace problematic vane and turbine starters**



**The A27 LP can easily replace these starters, with minimum modification of the piping**



Let us know the engine maker and model, and the application (genset, compressor, water pump, propulsion...) and we can help you with the process for retrofitting.



**Gali**

Some engines to work with the Gali A27LP starter



**Scania:**  
DI9, DI13, DI16



**MTU 2000 series**  
MTU 4000 until 16V

Cummins	Caterpillar	Mitsubishi	Perkins
QSX15	C15, C18	S6B, S6B3, S6A3	3008, 3012
NT855, KTA19	C27, C32	S12A2	3406 - 3412
QSK23, VTA28	3406, 3408	S6R, S6R2, S6RF	3500 - 3516
QST30	3508, 3512, 3516	S12R	4006, 4008
KTA38	4306, 4308		4012, 4016
KTA50, QSK50			



**Volvo Penta:**  
D9, D13, D16  
TAD 16XX



**Baudouin**  
6M26, 12M26,  
12M33



**Daihatsu**  
DK 20, 5DC17



**Yanmar**  
6N18



Gracias por su atención  
[www.galigrup.com](http://www.galigrup.com)